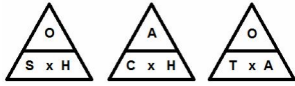
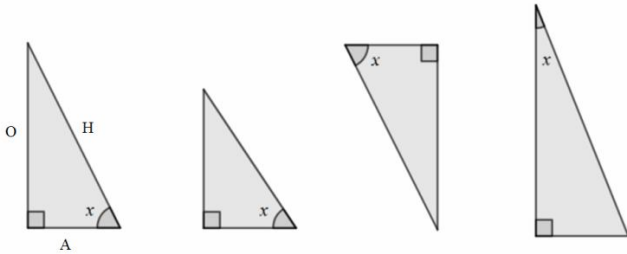


Trigonometry – Trig Ratios (SOHCAHTOA) www.m4ths.com



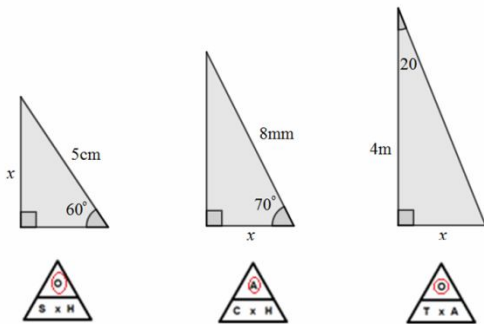
Section 1 – Labelling Sides

(1) Write the letter H, O and A on each triangle below to show the correct side relative to the angle given. The first one has been done for you.

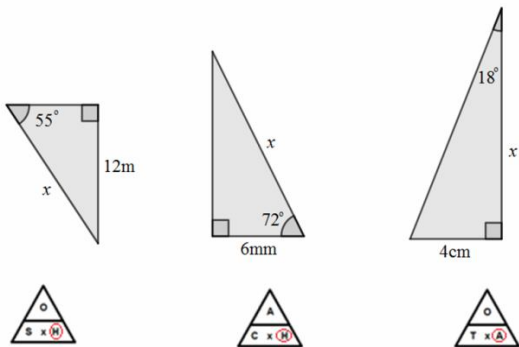


Section 2 – Finding Missing Side Lengths

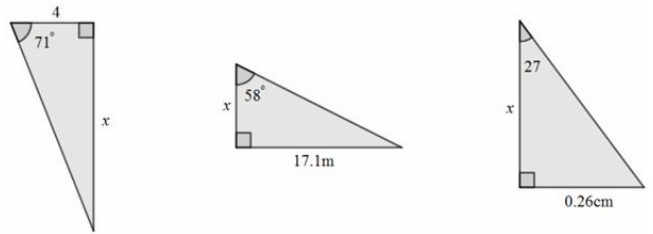
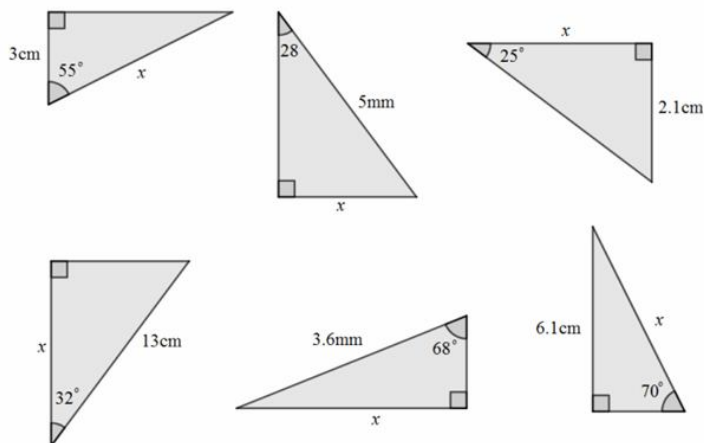
(1) Use the SOHCAHTOA triangle below each triangle below to find the value of x .



(2) Use the SOHCAHTOA triangle below each triangle below to find the value of x .

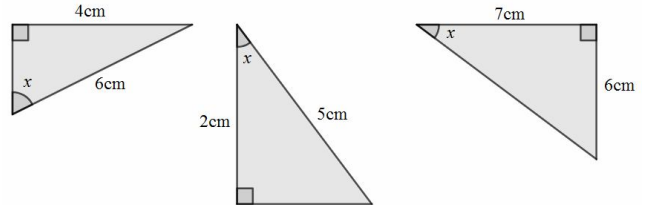


(3) Find the value of x in each triangle below.

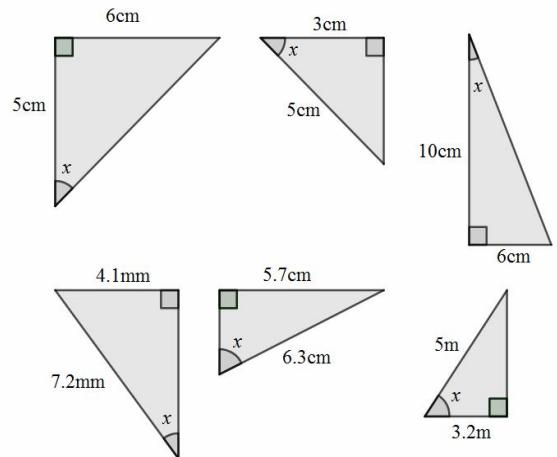


Section 3 – Finding Missing Angles

(1) Use the SOHCAHTOA triangle below each triangle below to find the value of x .



(2) Find the value of x in each triangle below.



Section 4 – Mixed Questions

(1) Find the value of x in each triangle below.

