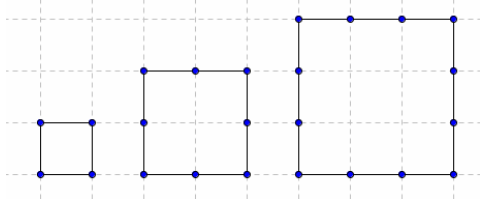
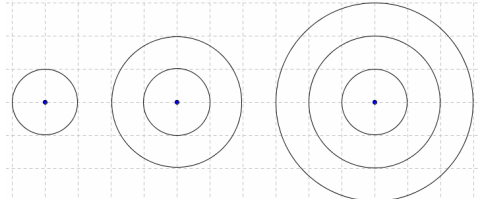
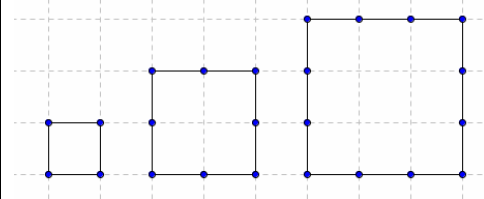
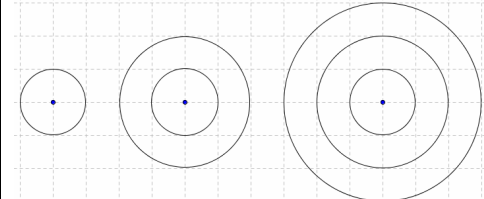


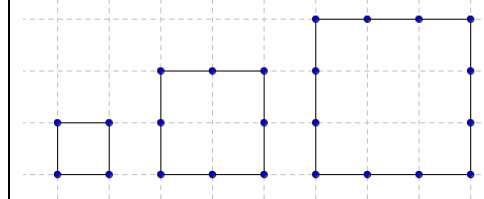
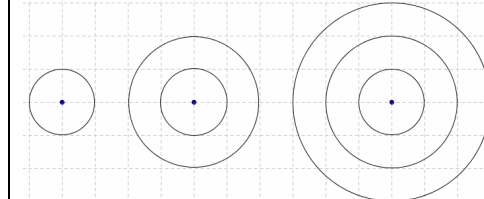
LO- Continue and write rules for number patterns and sequences
My Task - Find the next 2 numbers **or** symbols in each pattern and write a rule for the pattern **IF** the pattern includes numbers

(1) 3,6,9,12
(2) 
(3) 10, 20, 30
(4) 1, 10, 100
(5) ☺ ☹ ☹ ☹ ☹ ☹ ☹
(6) 10,8,6,4
(7) ☹☺, ☹☹, ☹☹☹, ☹☹☹☹
(8) 5,10,15,20
(9) ▲▶▼◀ ▲▶
(10) ♠♣♥♦ ♦♥♣♠ ♠♣
(11) 1,2,4,8,16
(12) ↑↓ ↑↑↓ ↓↓↑↑ ↑↑↑↓↓↓
(13) 400, 200, 100, 50
(14) 
(15) R CRC CCRCC
(16) ■□□■■■□□□■■■■■
(17) 1, 11, 111, 1111
(18) 5,4,3,2,1,0
(19) ☺☹, ☹☺, ☺☹, ☹☺
(20) 10, 01, 10, 01

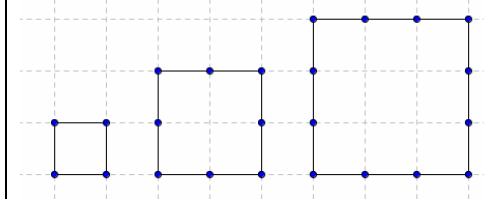
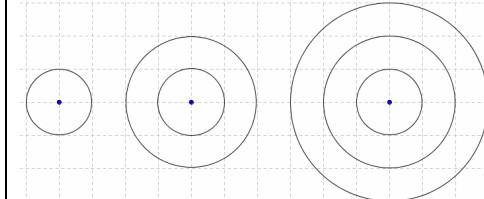
LO- Continue and write rules for number patterns and sequences
My Task - Find the next 2 numbers **or** symbols in each pattern and write a rule for the pattern **IF** the pattern includes numbers

(1) 3,6,9,12
(2) 
(3) 10, 20, 30
(4) 1, 10, 100
(5) ☺ ☹ ☹ ☹ ☹ ☹ ☹
(6) 10,8,6,4
(7) ☹☺, ☹☹, ☹☹☹, ☹☹☹☹
(8) 5,10,15,20
(9) ▲▶▼◀ ▲▶
(10) ♠♣♥♦ ♦♥♣♠ ♠♣
(11) 1,2,4,8,16
(12) ↑↓ ↑↑↓ ↓↓↑↑ ↑↑↑↓↓↓
(13) 400, 200, 100, 50
(14) 
(15) R CRC CCRCC
(16) ■□□■■■□□□■■■■■
(17) 1, 11, 111, 1111
(18) 5,4,3,2,1,0
(19) ☺☹, ☹☺, ☺☹, ☹☺
(20) 10, 01, 10, 01

LO- Continue and write rules for number patterns and sequences
My Task - Find the next 2 numbers **or** symbols in each pattern and write a rule for the pattern **IF** the pattern includes numbers

(1) 3,6,9,12
(2) 
(3) 10, 20, 30
(4) 1, 10, 100
(5) ☺ ☹ ☹ ☹ ☹ ☹ ☹
(6) 10,8,6,4
(7) ☹☺, ☹☹, ☹☹☹, ☹☹☹☹
(8) 5,10,15,20
(9) ▲▶▼◀ ▲▶
(10) ♠♣♥♦ ♦♥♣♠ ♠♣
(11) 1,2,4,8,16
(12) ↑↓ ↑↑↓ ↓↓↑↑ ↑↑↑↓↓↓
(13) 400, 200, 100, 50
(14) 
(15) R CRC CCRCC
(16) ■□□■■■□□□■■■■■
(17) 1, 11, 111, 1111
(18) 5,4,3,2,1,0
(19) ☺☹, ☹☺, ☺☹, ☹☺
(20) 10, 01, 10, 01

LO- Continue and write rules for number patterns and sequences
My Task - Find the next 2 numbers **or** symbols in each pattern and write a rule for the pattern **IF** the pattern includes numbers

(1) 3,6,9,12
(2) 
(3) 10, 20, 30
(4) 1, 10, 100
(5) ☺ ☹ ☹ ☹ ☹ ☹ ☹
(6) 10,8,6,4
(7) ☹☺, ☹☹, ☹☹☹, ☹☹☹☹
(8) 5,10,15,20
(9) ▲▶▼◀ ▲▶
(10) ♠♣♥♦ ♦♥♣♠ ♠♣
(11) 1,2,4,8,16
(12) ↑↓ ↑↑↓ ↓↓↑↑ ↑↑↑↓↓↓
(13) 400, 200, 100, 50
(14) 
(15) R CRC CCRCC
(16) ■□□■■■□□□■■■■■
(17) 1, 11, 111, 1111
(18) 5,4,3,2,1,0
(19) ☺☹, ☹☺, ☺☹, ☹☺
(20) 10, 01, 10, 01