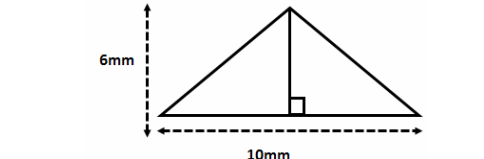
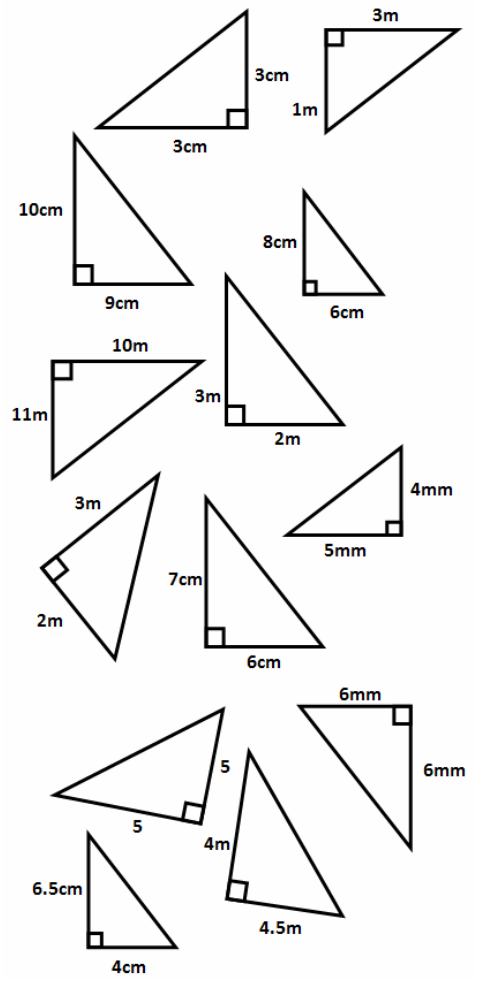


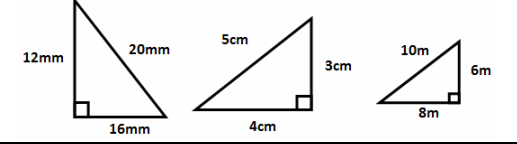
Area of a Triangle

To find the area of a triangle I

Find the area of the triangles below.



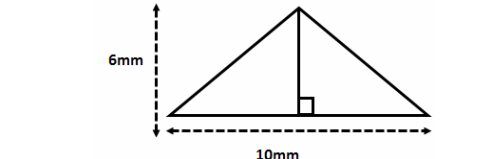
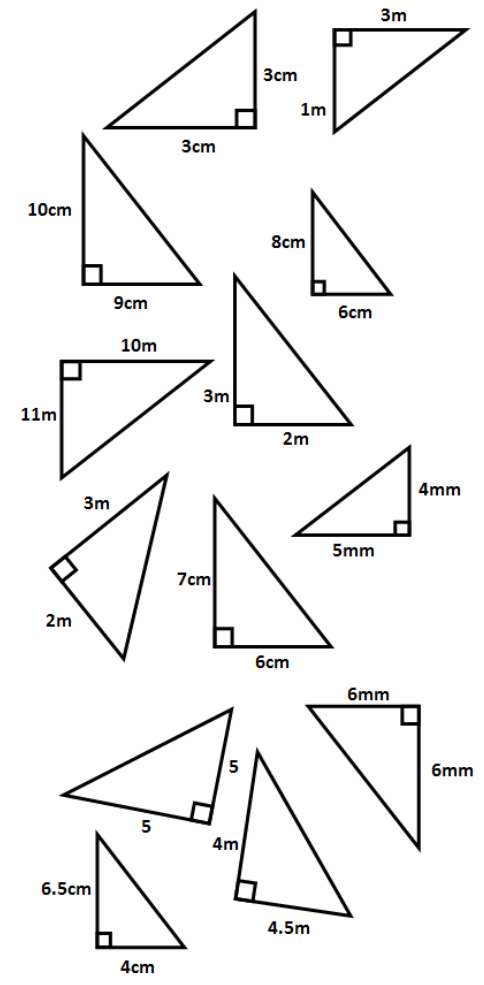
Find the area of a triangle with a base of 10cm and a height of 6cm



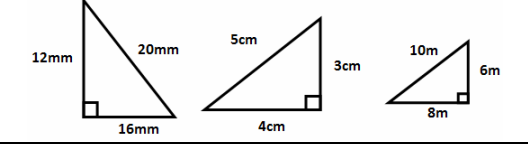
Area of a Triangle

To find the area of a triangle I

Find the area of the triangles below.



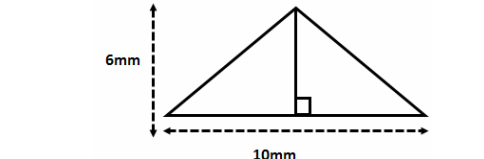
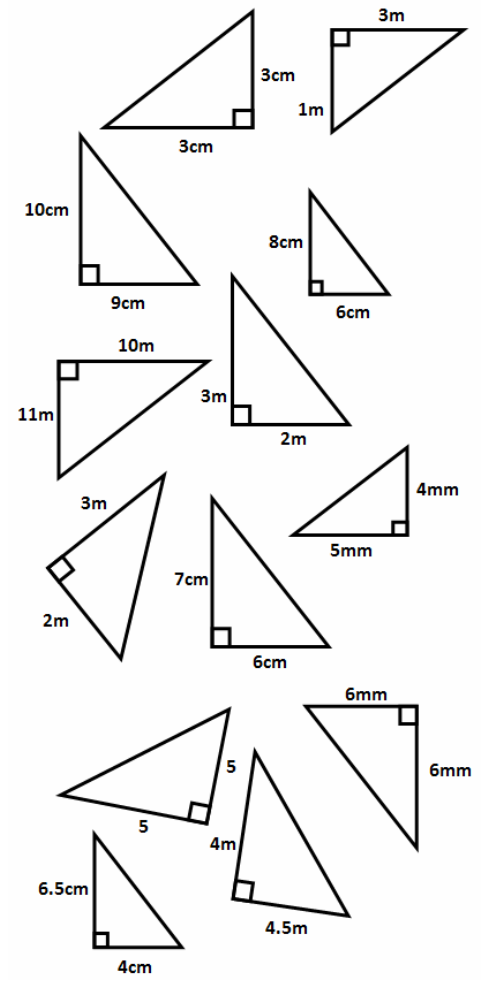
Find the area of a triangle with a base of 10cm and a height of 6cm



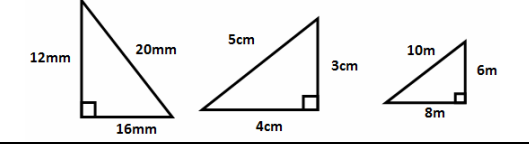
Area of a Triangle

To find the area of a triangle I

Find the area of the triangles below.



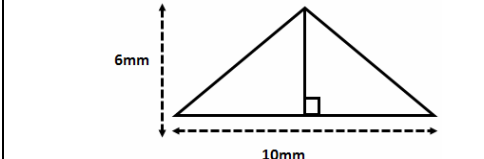
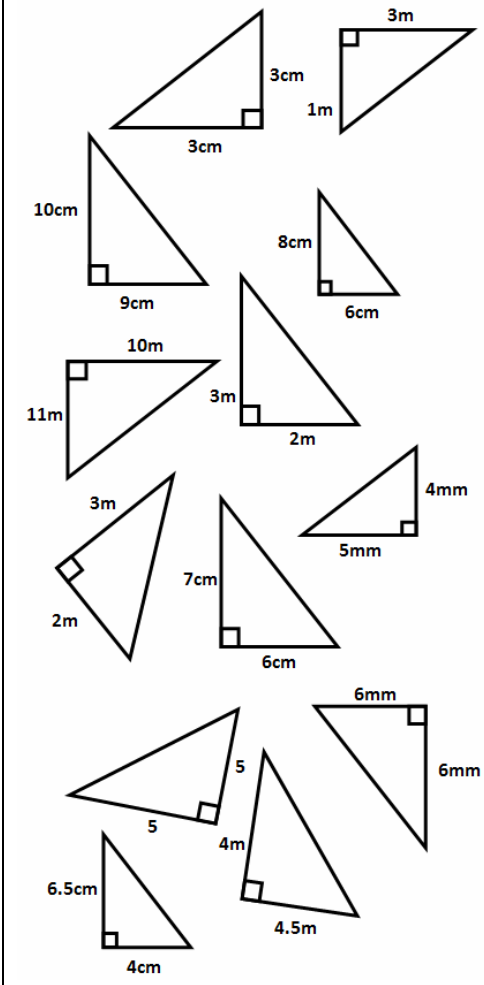
Find the area of a triangle with a base of 10cm and a height of 6cm



Area of a Triangle

To find the area of a triangle I

Find the area of the triangles below.



Find the area of a triangle with a base of 10cm and a height of 6cm

