

**My Understanding**

A Plan View is

\_\_\_\_\_

\_\_\_\_\_

A Front Elevation is

\_\_\_\_\_

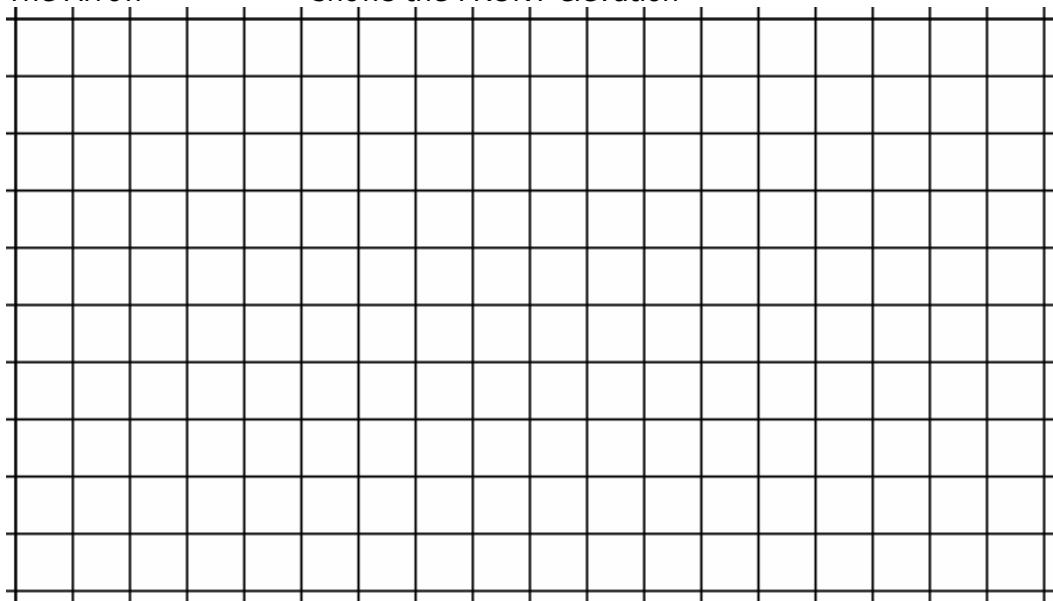
\_\_\_\_\_

A Side Elevation is

\_\_\_\_\_

\_\_\_\_\_

The Arrow → shows the FRONT elevation



**Task 1**

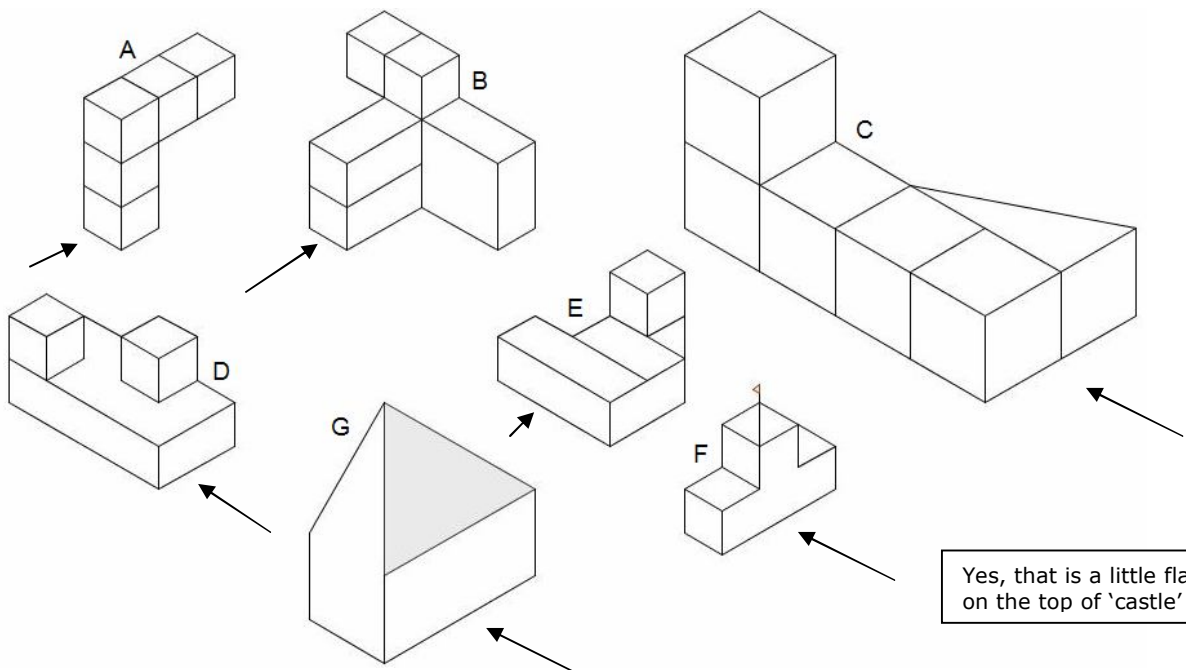
Draw (i) A plan view (ii) The front elevation and (iii) the side elevation of each of the shapes at the top of page clearly labelling each and specifying which view you have drawn.

No credit will be given to drawings without labels.

Take 1 square to represent 1 block

Tick the box below to show you have read and understood the info above

**Task 2** - Using a ruler and pencil create 2D copies of the shapes below showing the plan view, front AND side elevation. You must label each shape and clearly state which view each diagram shows. Try and ensure your drawings are in proportion and as accurate as possible. You can either do this on squared paper or take 1 block to be 1cm.



Yes, that is a little flag on the top of 'castle' F