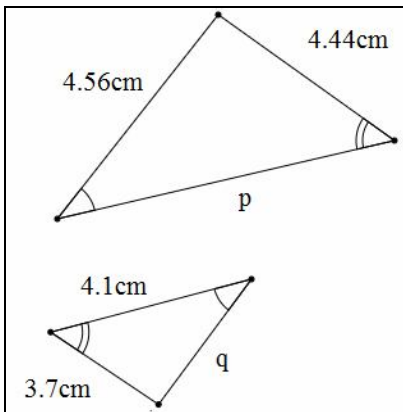
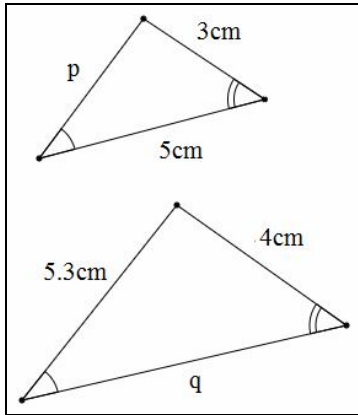
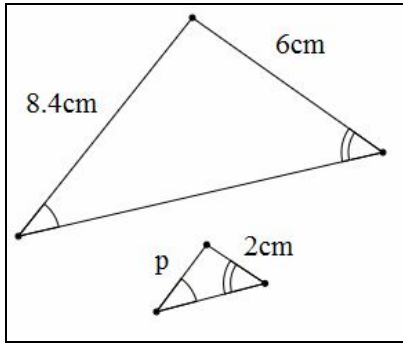
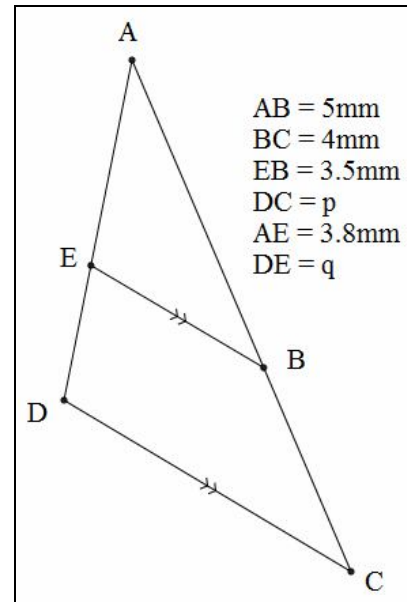
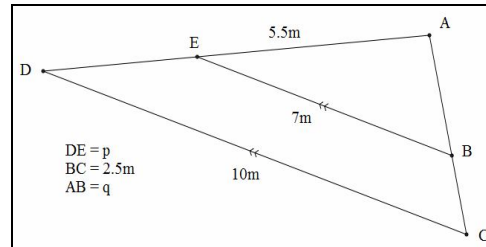
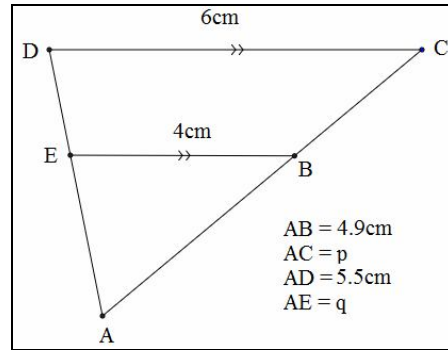


Similar Triangles — www.m4ths.com

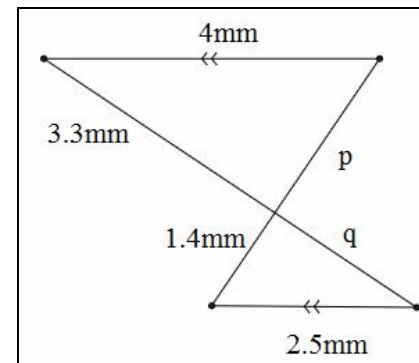
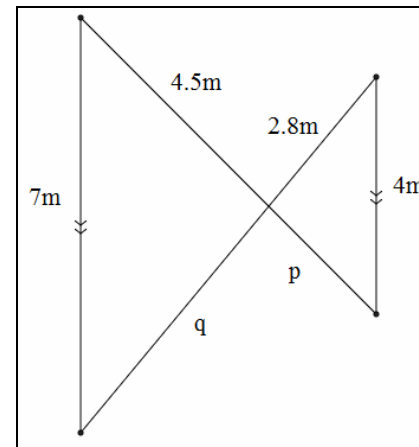
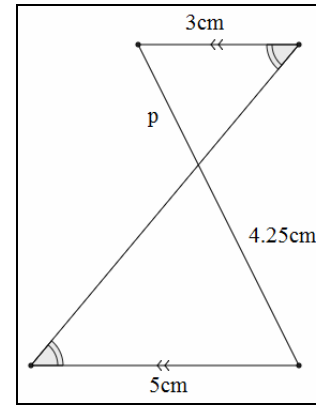
Question 1 – Find the missing values below given that the two triangles in each box are similar.



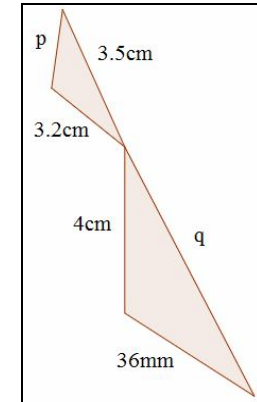
Question 2 – Find the missing values below given that the two triangles in each box are similar.



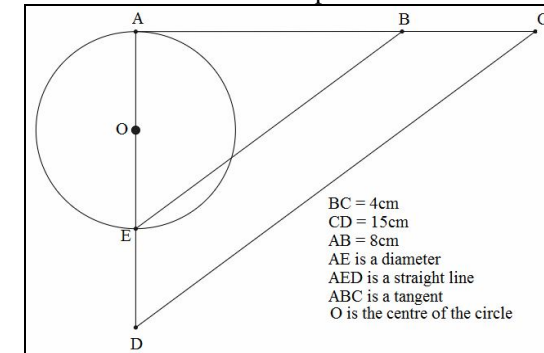
Question 3 – Find the missing values below given that the two triangles in each box are similar.



Question 4 – Find the missing values below given that the two triangles are similar.



Question 5 – Find the area of the circle below correct to 1 decimal place.



Question 6 – Given that the two triangles below are similar, express y in terms of z and x.

